

REDUCE.

REUSER ID 1400

Universal shredder

REACT.



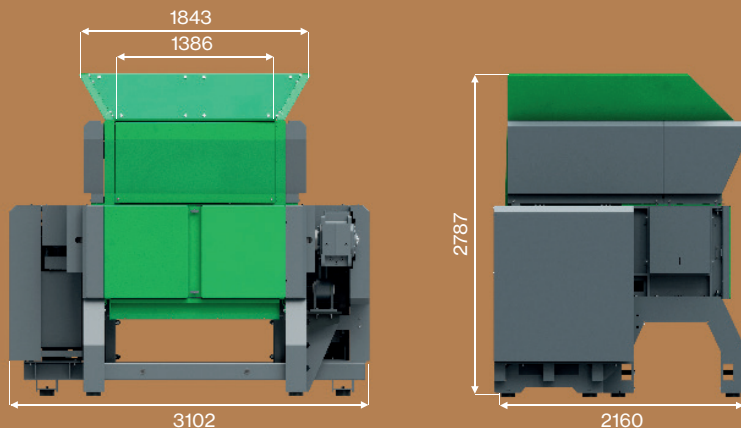
RECOVER.

Discover power and efficiency in a single step with our top-of-the-line shredders! With advanced technology and robust design, our shredders provide exceptional efficiency in processing a wide range of materials. Take control and set new standards. Don't follow - be a leader with our premium equipment, built for durability and efficiency.



TECHNICAL DATA

REUSER ID 1400 universal shredder



Rated capacity	kW	55 / 75 / 90 / 110
Cutting shaft	No.	1
Rotor length	mm	1386
Number of blades	Pcs.	60
Rotor diameter	mm	315
Rotor speed	rpm	30 - 80
Hopper opening on the shaft	mm	1843 x 1843
Available screen sizes	mm	15/20/30/50/70/90
Hidraulic oil capacity	l	120
Dimensions (H / W / L)	mm	2787 / 3102 / 2160
Weight	kg	8000

**REACT. REDUCE.
RECOVER.**

